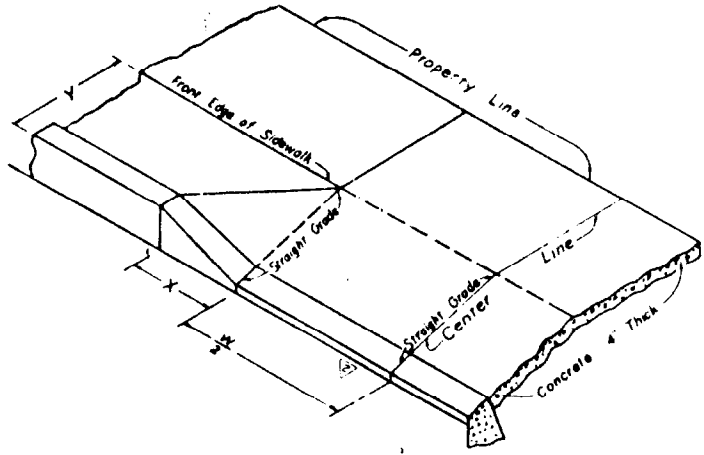
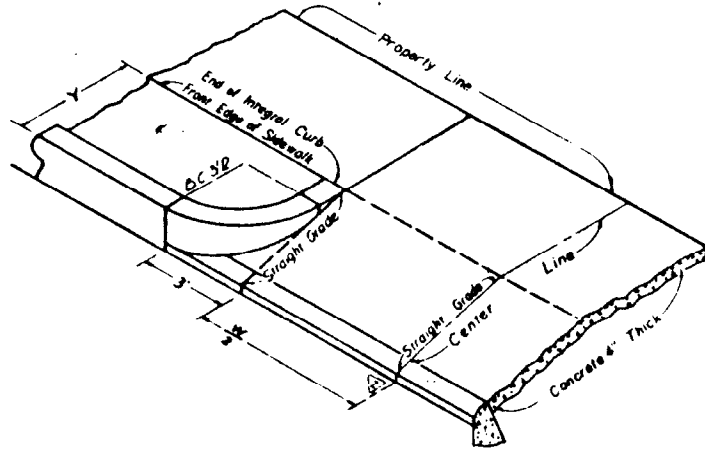




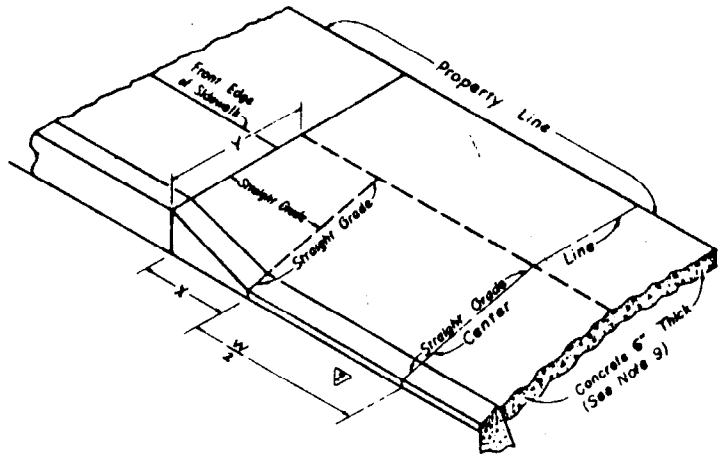
CASE 1



CASE 3



CASE 2



CASE 4

