

BYRNE

INSTALLATION INSTRUCTIONS FOR BYRNE 4-TRAC SIDE POWER ENTRY

The Side Power Entry assembly consists of a swivel housing, cover, and two screws.

WARNING: RISK OF FIRE OR ELECTRIC SHOCK

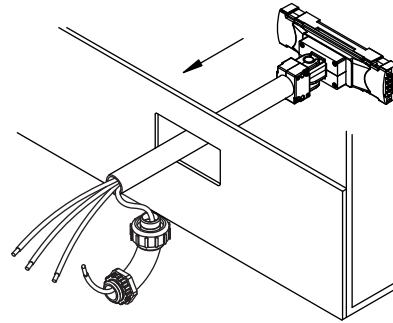
Do not electrically connect to more than one power source.

Disconnect all power sources prior to any servicing.

Connection to the building supply must be done by a qualified electrician in accordance with local electrical codes.

1. Determine the location where the Side Power Entry is to be installed and remove the trim. Install the swivel housing through the trim cover.

Fig. 1



a. Feed the conduit through the opening before the electrician wires the Side Power Entry to the building (Fig. 1)

Or

Fig. 2a

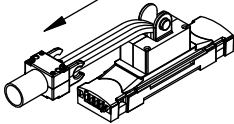


Fig. 2b

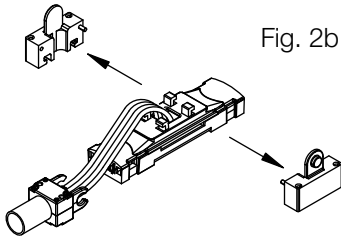


Fig. 2c

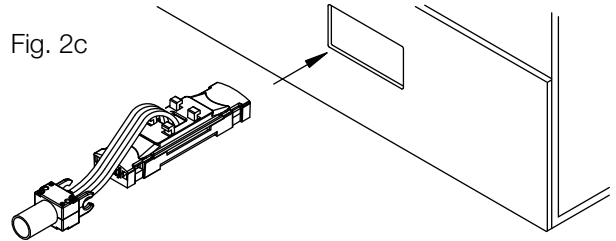
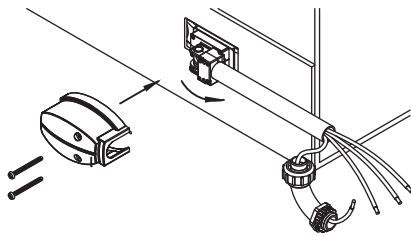


Fig. 3



b. Snap the conduit assembly off the swivel pins (Fig. 2a). Slide the swivel pins off the housing (Fig 2b). Feed the housing through the opening (Fig. 2c). Reassemble the swivel pins and conduit.

2. Secure the assembly to desired location. Swivel the conduit assembly to the left or right as needed, place the cover on the assembly, and install with the two screws provided (Fig. 3).

3. Connect the Side Power Entry to the building power. NOTE: The conduit can be shortened if required by snapping the conduit assembly off the swivel pins and pulling the conduit out to the cut line.

