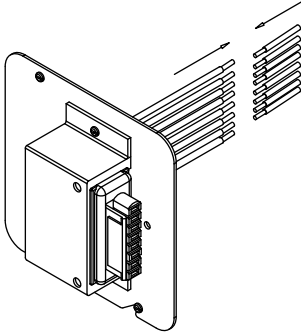


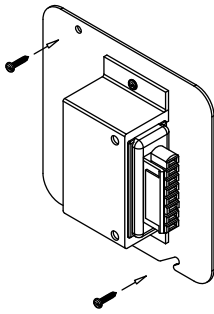
# BYRNE™

## INSTALLATION INSTRUCTIONS FOR BYRNE 8-TRAC ROTATING POWER ENTRY

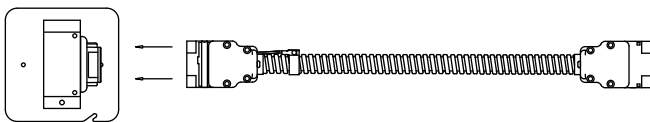
1. Licensed electrician hardwires rotating power entry to power source per attached schematic label.



2. Orientate the rotating power entry and attach cover plate to surface.

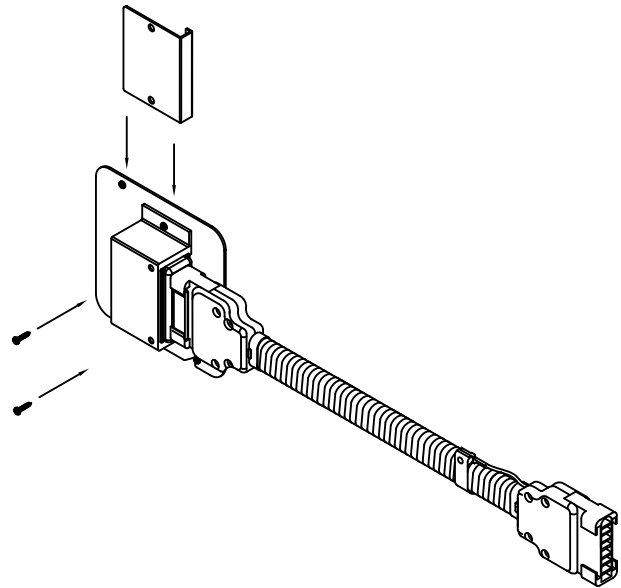


3. Connect jumper to rotating power entry.



**WARNING:**  
Connection to the power source, by a licensed electrician, and quantity of receptacles used for a given circuit must be in compliance with all national and local electrical codes. Failure to observe this warning could result in a fire.

4. Slide the retaining bracket down over rotating power entry and jumper. Secure with screws.



5. Assembly is complete.

