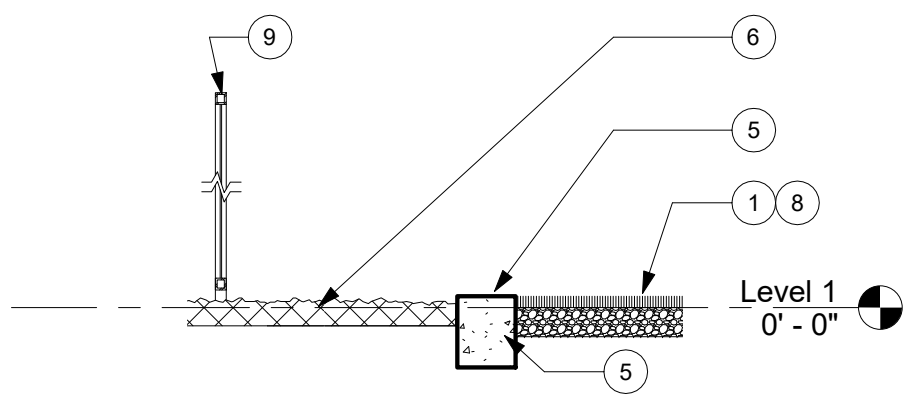


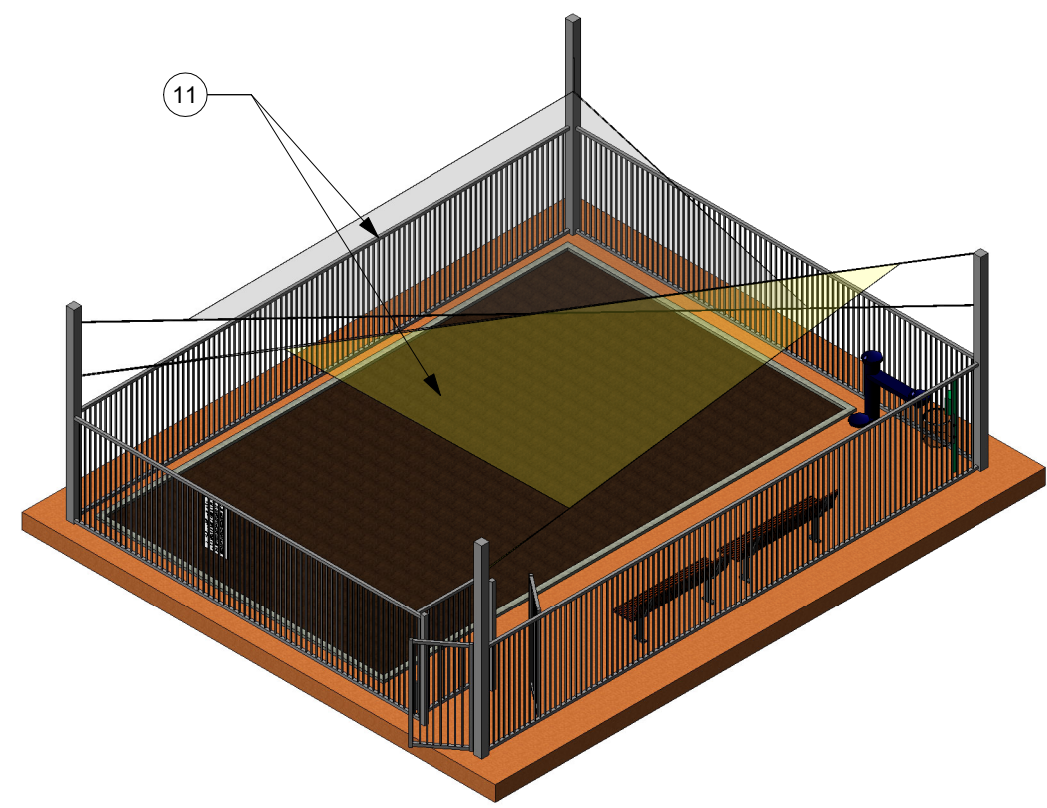
1 FLOOR PLAN
1/8" = 1'-0"



2 PARTIAL SECTION
1" = 1'-0"

KEYNOTES

1. FIBAR - ENGINEERED WOOD FIBER
2. DOG WASTE STATION (BAG DISPENSER & TRASH RECEPTACLE W/LID)
3. ADA DRINKING FOUNTAIN W/ PET BASIN
4. HOSE BIBB
5. 4" WIDE CONCRETE BORDER AT GRADE
6. DECOMPED GRANITE
7. METAL DOG PARK SIGN (RE:A102)
8. SUBBASE TO BE COMPACTED 90%
9. 6' HIGH PERIMETER FENCE, W/ ACCESS GATE (POWDER COAT FINISH)
10. 12'-0" HIGH CORNER POSTS, TYP. FOR 4
11. TRIANGULAR SHADE SAIL CANOPY, TYP. FOR 2
12. BENCH, TYP. FOR 2



CITY OF LOS ANGELES
 DEPARTMENT OF PUBLIC WORKS
 BUREAU OF ENGINEERING
 GARY LEE MOORE, PE, ENV SP
 CITY ENGINEER

PROPOSED PLAN

Project number	Project Number	Issue Date	Author
Date			
Drawn by			
Checked by			

A101

Scale: As indicated

PET RELIEF AREA

Enter address here